

SAFETY AREA = 1/3 TIMES DESIGN HELICOPTER MAIN ROTOR DIAMETER BUT NOT LESS THAN 10 FEET
 FATO = 1.5 TIMES DESIGN HELICOPTER OVERALL HELICOPTER LENGTH

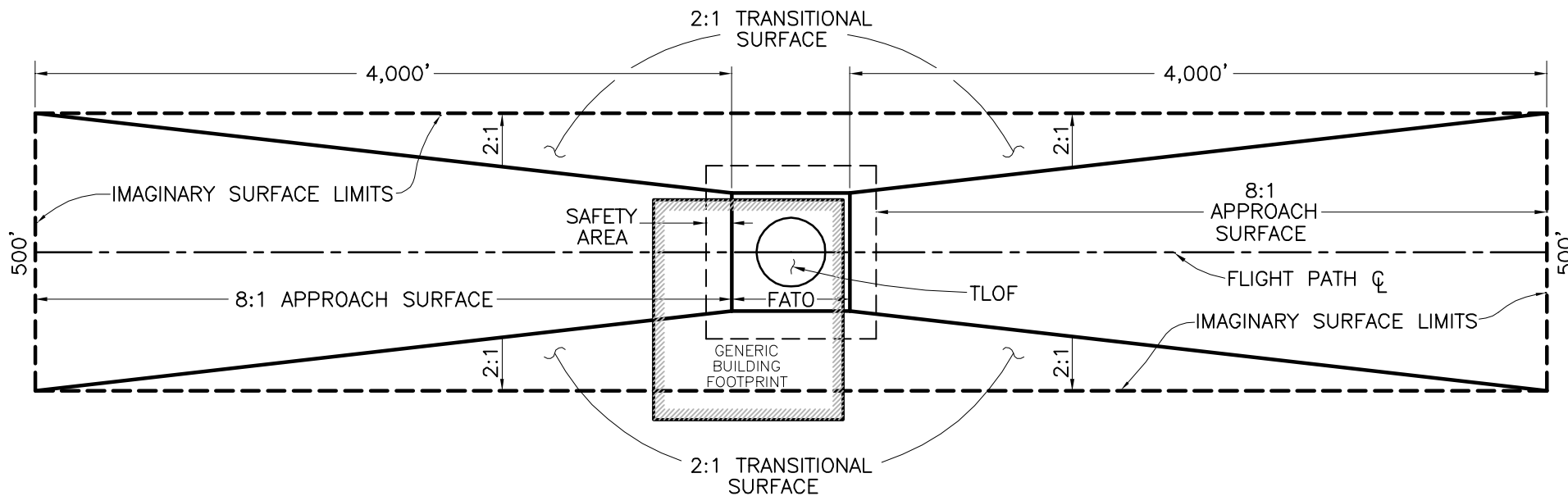


EXHIBIT A-1

HELIPORT IMAGINARY SURFACES EXHIBIT PLAN & PROFILE VIEWS

NOT TO SCALE

